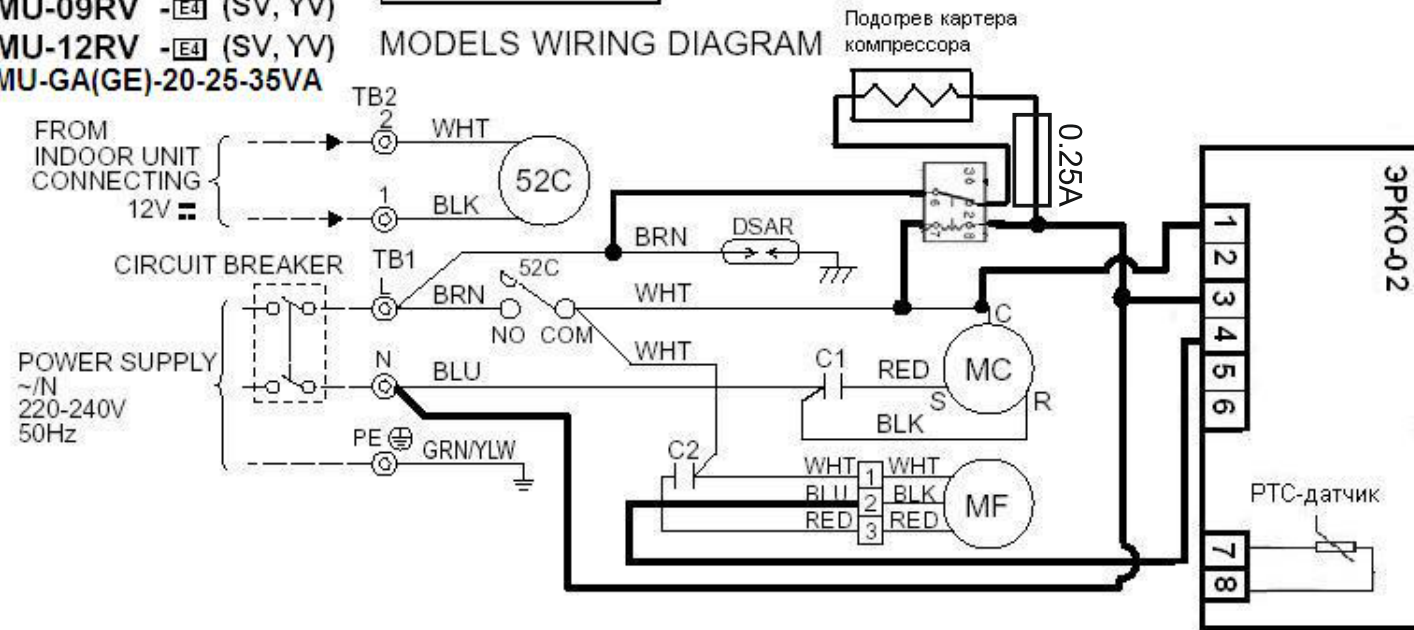


MU-07RV -E4 (SV, YV)
 MU-09RV -E4 (SV, YV)
 MU-12RV -E4 (SV, YV)
 MU-GA(GE)-20-25-35VA

OUTDOOR UNIT

MODELS WIRING DIAGRAM



SYMBOL	NAME	SYMBOL	NAME	SYMBOL	NAME
C1	COMPRESSOR CAPACITOR	MC	COMPRESSOR(INNER PROTECTOR)	52C	COMPRESSOR CONTACTOR
C2	OUTDOOR FAN CAPACITOR	MF	OUTDOOR FAN MOTOR(INNER FUSE)		
DSAR	SURGE ABSORBER	TB1,TB2	TERMINAL BLOCK		

NOTE:1. About the indoor side electric wiring refer to the indoor unit electric wiring diagram for servicing.

2. Use copper conductors only. (For field wiring)

3. Symbols below indicate.

⊙: Terminal block, : Connector

VG79B132H01