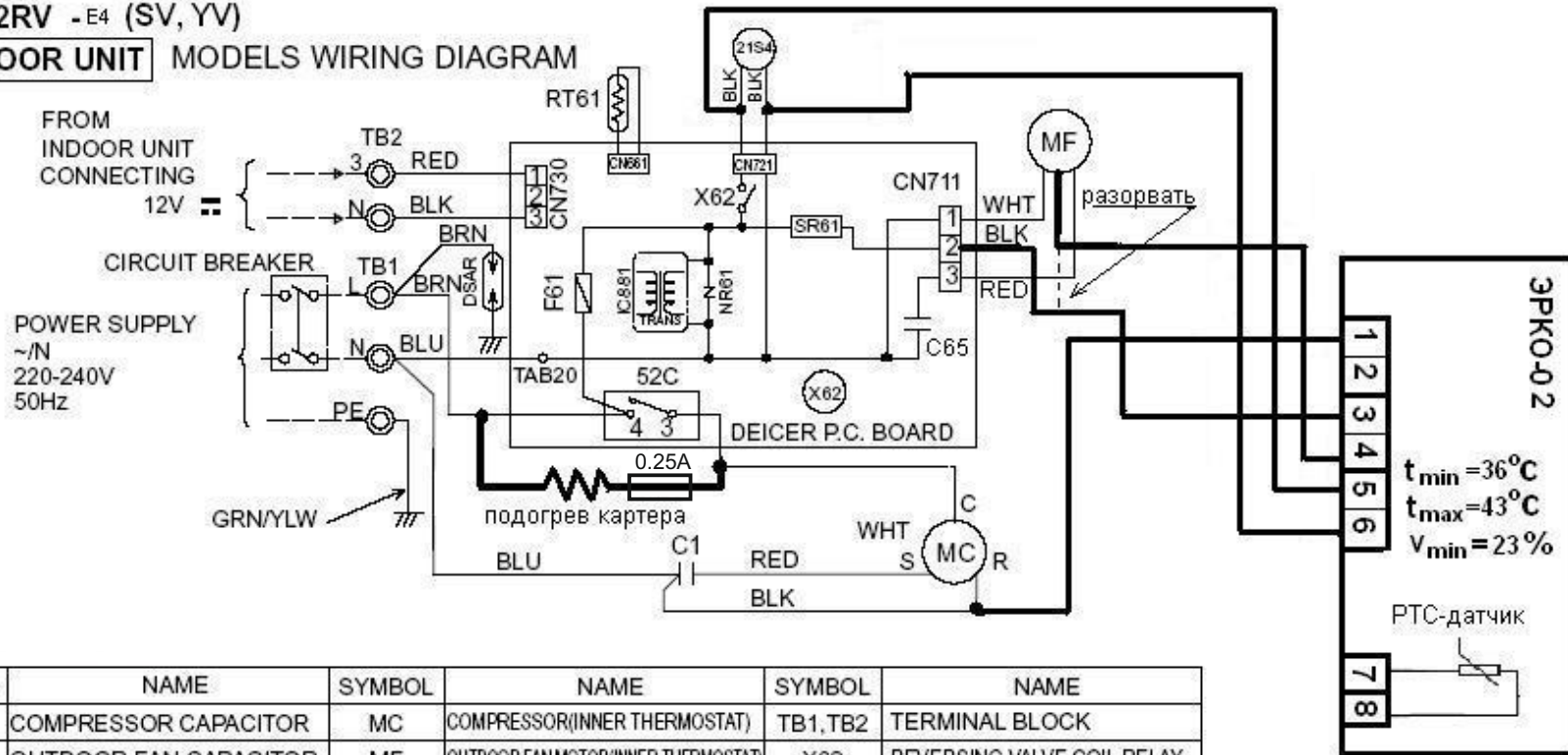


MUH-07RV -E4 (SV, YV) MUH-GA-GE--- VB  
 MUH-09RV -E4 (SV, YV)  
 MUH-12RV -E4 (SV, YV)

**OUTDOOR UNIT** MODELS WIRING DIAGRAM



SYMBOL	NAME	SYMBOL	NAME	SYMBOL	NAME
C1	COMPRESSOR CAPACITOR	MC	COMPRESSOR(INNER THERMOSTAT)	TB1, TB2	TERMINAL BLOCK
C65	OUTDOOR FAN CAPACITOR	MF	OUTDOOR FAN MOTOR(INNER THERMOSTAT)	X62	REVERSING VALVE COIL RELAY
DSAR	SURGE ABSORBER	NR61	VARISTOR	21S4	REVERSING VALVE COIL
F61	FUSE(2A)	RT61	DEFROST THERMISTOR	52C	CONTACTOR
IC881	DC/DC CONVERTER	SR61	SOLID STATE RELAY		

NOTE:1. About the indoor side electric wiring refer to the indoor unit electric wiring diagram for servicing.  
 2. Use copper conductors only. (For field wiring)  
 3. Symbols below indicate.  
 ⊙: Terminal block, □□□□: Connector